

# MD-1214

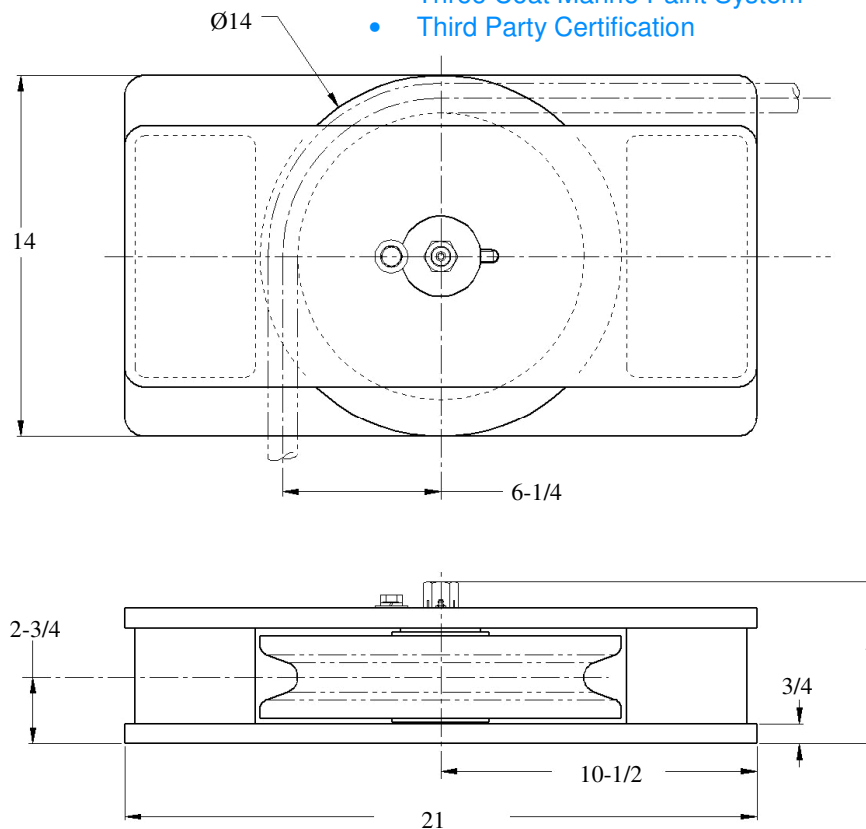
## STANDARD FEATURES

- Designed for Breaking Strength of 1-1/4" (32 mm) EIPS Wire Rope, 159,800 LBS, with 90° Wrap on the Sheave
- Cast Steel Sheave with Hardened Rope Groove for Longer Life
- Grease Lubricated Bronze Bearings in Sheave
- Weld Down Mounting Base
- Epoxy Primer Coating



## OPTIONAL FEATURES

- Customized Design to Suit Your Application
- Multiple Sheaves
- Stainless Steel or Nylon Sheaves
- Sealed Tapered Roller Bearings in Sheave
- Bolt Down Mounting Base
- Load Monitoring System
- Three Coat Marine Paint System
- Third Party Certification



WEIGHT: 200 LBS

\* DIMENSIONS SUBJECT TO CHANGE WITHOUT NOTICE\*

## Rasmussen Equipment Company

415 S. Cloverdale St. Seattle, WA 98108  
Tel: 206-762-3700

2220 Engineers Rd Belle Chasse, LA 70037  
Tel: 504-392-0442

E-mail: [info@RasmussenCo.com](mailto:info@RasmussenCo.com) Web: [www.RasmussenCo.com](http://www.RasmussenCo.com) Toll Free: 800-227-7920